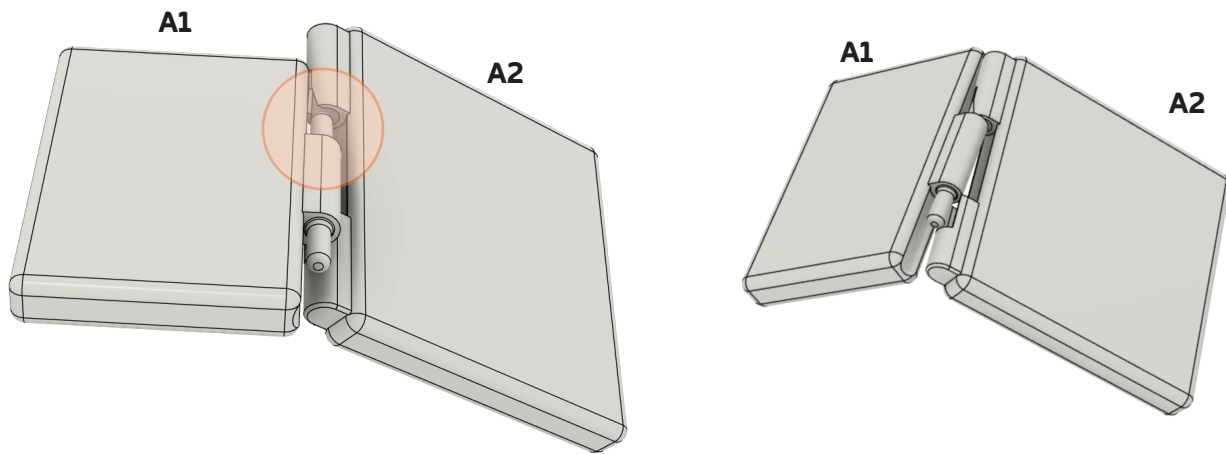




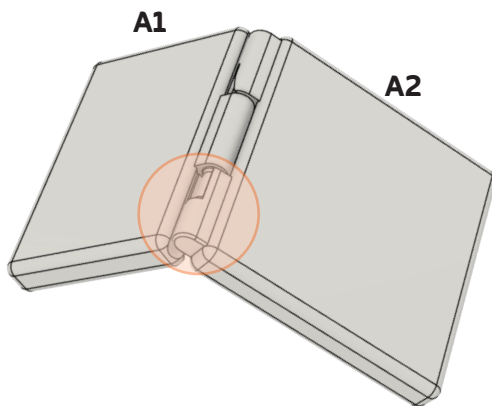
Assembly Instructions

Cozy Care Clinic Patch Up Set | Bed Mattress

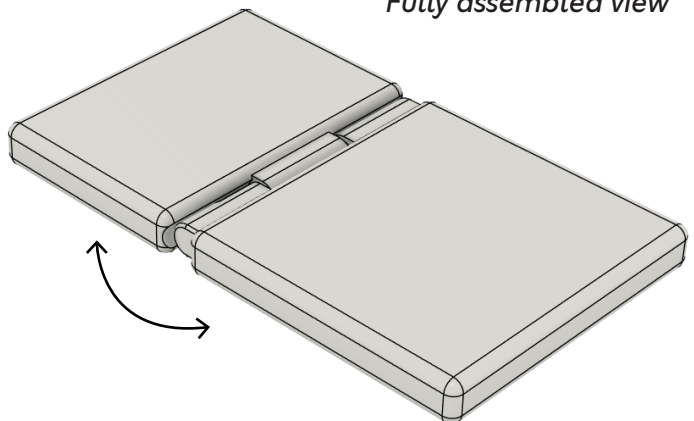
Step 1: Gently insert the peg from the mattress top (A1) into the matching hole of the mattress bottom (A2). No force should be needed, and the mattress pieces should be positioned at an angle greater than 90 degrees.



Step 2: Insert the second peg into the second hole and fold the mattress to lie flat.



Fully assembled view



PRINT & ASSEMBLY

Recommended printer settings and instructions for models that require assembly are available online:
<https://smallandnice.com/instructions>

TERMS OF USE

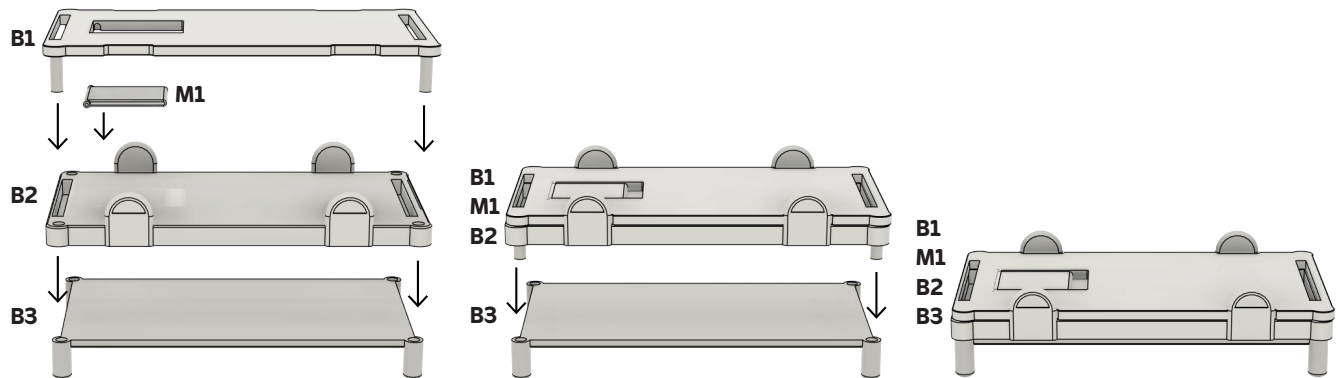
By downloading this product, you agree to the following terms:
• **These products are for personal use only**, unless otherwise specified.
• You may not sell, rent, sub-license, host, share, or distribute the digital files or modified versions of the files. Read the full terms on our website: <https://smallandnice.com/terms-conditions>



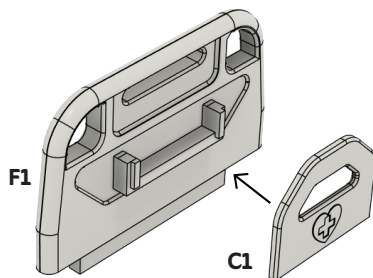
Assembly Instructions

Cozy Care Clinic Patch Up Set | Bed Frame

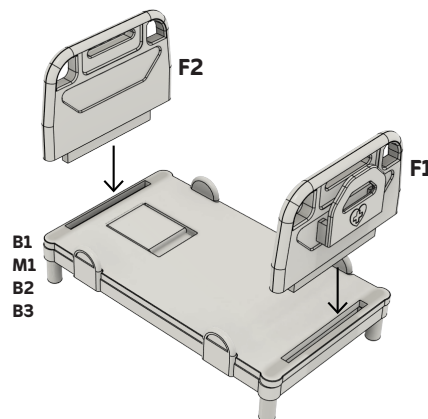
Step 1: Assemble the bed base in the following order, from top to bottom: bed connector (B1), bed base (B2), bed legs (B3). Ensure the mattress prop (M1) is between B1 and B2. Use glue to secure B1 to B2 and B2 to B3. Do not glue the mattress prop (M1) as it will need to be able to rotate freely.



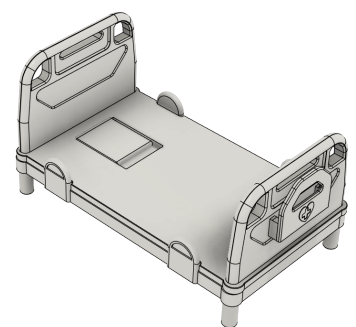
Step 3: Attach the chart holder (C1) to the footboard (F1). Use glue to secure.



Step 4: Fit the footboard (F1) and headboard (F2) into the slots in the assembled bed base.



Fully assembled view



PRINT & ASSEMBLY

Recommended printer settings and instructions for models that require assembly are available online:
<https://smallandnice.com/instructions>

TERMS OF USE

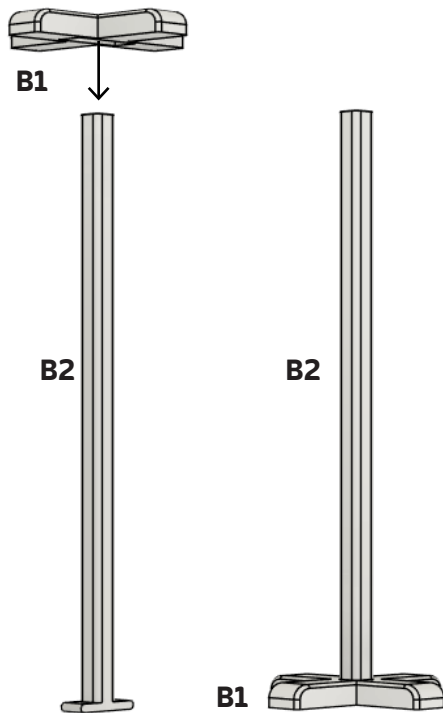
By downloading this product, you agree to the following terms:
• **These products are for personal use only**, unless otherwise specified.
• You may not sell, rent, sub-license, host, share, or distribute the digital files or modified versions of the files. Read the full terms on our website: <https://smallandnice.com/terms-conditions>



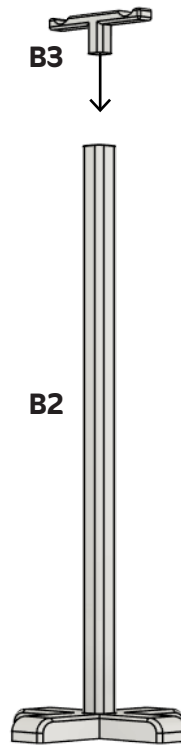
Assembly Instructions

Cozy Care Clinic Patch Up Set | IV Stand

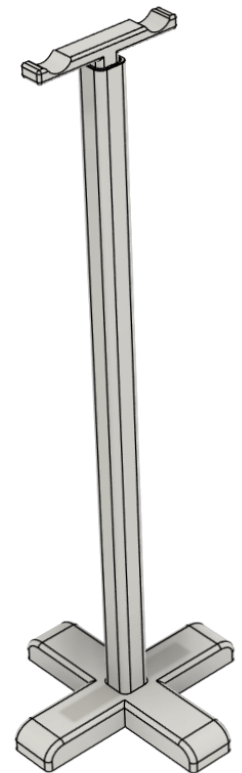
Step 1: Slide the base (B1) down to the bottom of the pole (B2).



Step 2: Gently push the stand hook (B3) into the top of the pole (B2).



Fully assembled view



PRINT & ASSEMBLY

Recommended printer settings and instructions for models that require assembly are available online:
<https://smallandnice.com/instructions>

TERMS OF USE

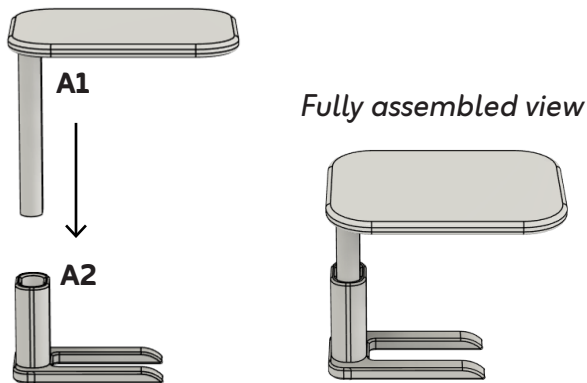
By downloading this product, you agree to the following terms:
• **These products are for personal use only**, unless otherwise specified.
• You may not sell, rent, sub-license, host, share, or distribute the digital files or modified versions of the files. Read the full terms on our website: <https://smallandnice.com/terms-conditions>



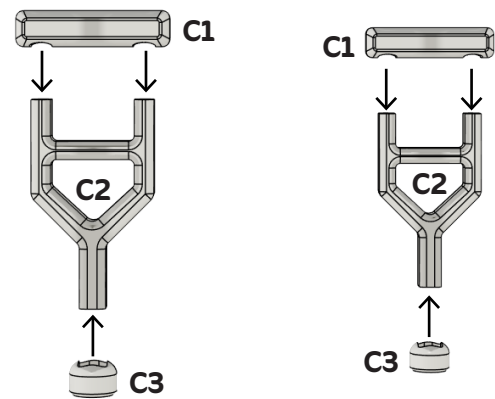
Assembly Instructions

Cozy Care Clinic Patch Up Set | Table and Crutches

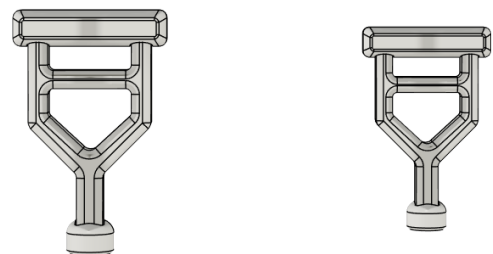
Bedside Table: Slide the table top (A1) into the base (A2), Use glue to secure, for a permanent attachment.



Crutches: Attach the crutch pad (C1) to the two prongs at the top of the crutch body (C2), and the crutch cap (C3) to the single prong on the bottom on the crutch body. Use glue to secure, for a permanent attachment.



Fully assembled view



PRINT & ASSEMBLY

Recommended printer settings and instructions for models that require assembly are available online:
<https://smallandnice.com/instructions>

TERMS OF USE

By downloading this product, you agree to the following terms:
These products are for personal use only, unless otherwise specified.
You may not sell, rent, sub-license, host, share, or distribute the digital files or modified versions of the files. Read the full terms on our website: <https://smallandnice.com/terms-conditions>